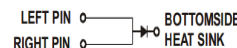
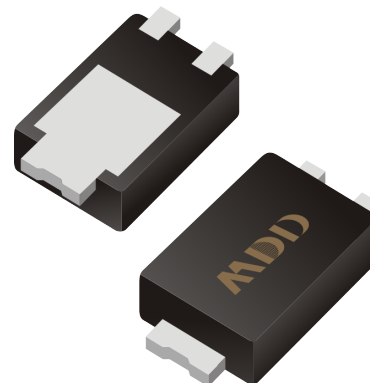


SURFACE MOUNT SCHOTTKY BARRIER RECTIFIER

Features

- ◆ The plastic package carries Underwriters Laboratory
- ◆ Flammability Classification 94V-0
- ◆ For surface mounted applications
- ◆ Built-in strain relief, ideal for automated placement
- ◆ Low forward voltage drop
- ◆ High forward surge current capability
- ◆ High temperature soldering guaranteed
250 C/10 seconds at terminals

TO-277


Dimensions in inches and (millimeters)

Mechanical Data

Case : JEDEC TO-277 Molded plastic body
 Terminals : Solder plated, solderable per MIL-STD-750, Method 2026
 Polarity : Polarity symbol marking on body
 Mounting Position : Any
 Weight : 0.003 ounce, 0.092 grams

Maximum Ratings And Electrical Characteristics

Ratings at 25 °C ambient temperature unless otherwise specified.

Single phase half-wave 60Hz, resistive or inductive load, for capacitive load current derate by 20%.

Parameter	SYMBOL	SB2045L	UNIT
Marking Code		MDD SB2045L	
Maximum repetitive peak reverse voltage	V_{RRM}	45	V
Maximum DC blocking voltage	V_{DC}		
RMS Reverse voltage	V_{RMS}	31.5	V
Average Rectified Output Current	$I_{(O)}$	20	A
Non-Repetitive Peak Forward Surge 8.3ms Single Half Sine-Wave Superimposed on rated load (JEDEC Method)	I_{FSM}	250	A

Electrical Characteristics Ta=25°C unless otherwise noted

Parameter	Test Conditions	Symbol	Value		Unit
			Typ	Max	
Forward Voltage Drop	at 20A	V_F	-	0.55	V
Peak reverse current at rated DC blocking voltage	$T_A=25^\circ C$	I_R	-	0.1	mA
	$T_A=125^\circ C$		-	50	mA
Typical thermal resistance		$R_{\theta JA}$	60.0		°C/W
Operating junction temperature range		T_J	-55 to +150		°C
Storage temperature range		T_{STG}	-55 to +150		°C

Note: 1. The typical data above is for reference only.

Ratings And Characteristic Curves

FIG. 1- DERATING CURVE OUTPUT RECTIFIED CURRENT

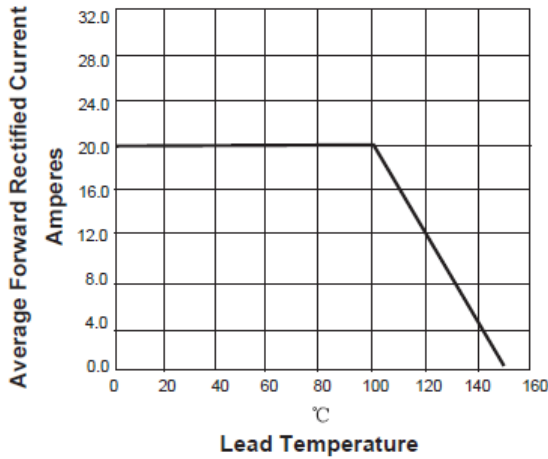


FIG. 2-MAXIMUM NON-REPETITIVE PEAK FORWARD SURGE CURRENT PER LEG

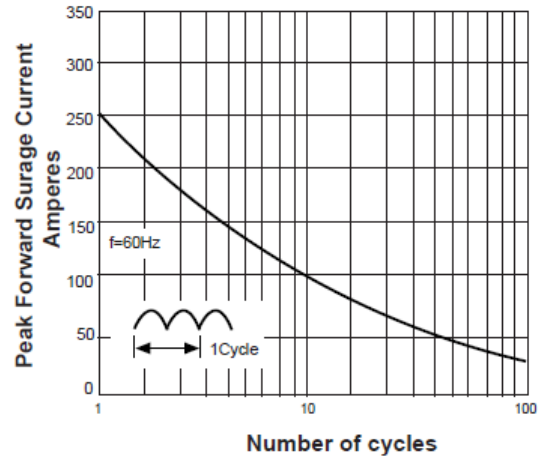


FIG. 3-TYPICAL FORWARD VOLTAGE CHARACTERISTICS

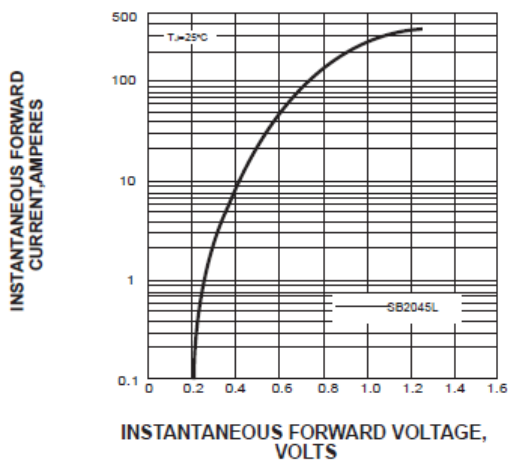
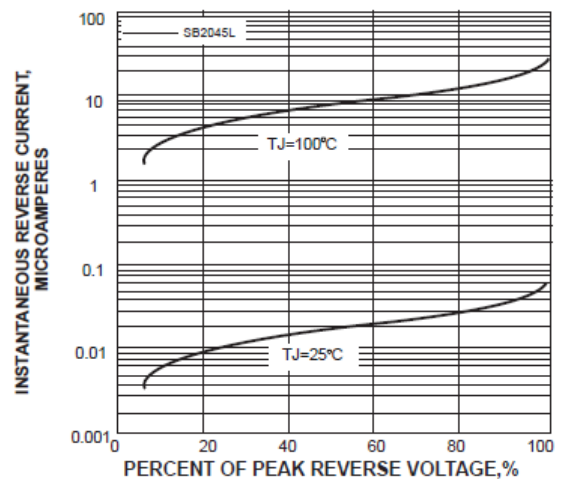
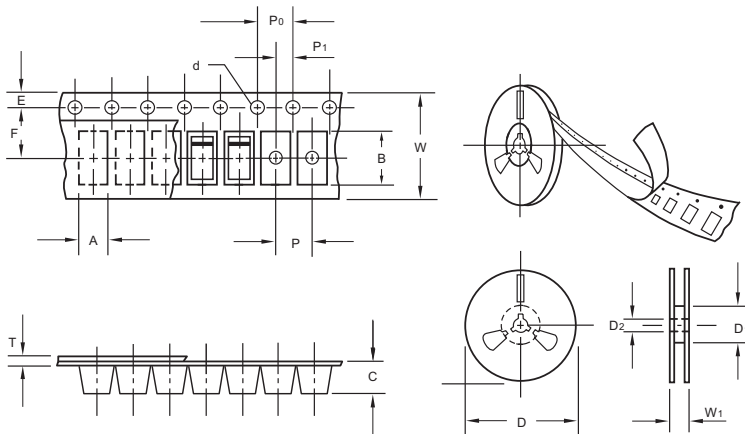


FIG. 4-TYPICAL REVERSE LEAKAGE CHARACTERISTICS



The curve above is for reference only.

Packing information



unit:mm

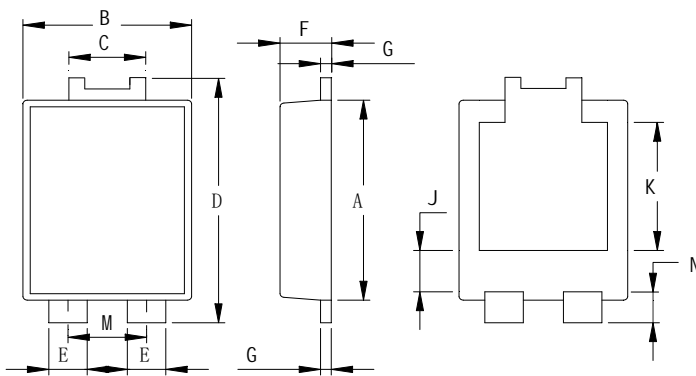
Item	Symbol	Tolerance	TO-277
Carrier width	A	0.1	4.45
Carrier length	B	0.1	7.0
Carrier depth	C	0.1	1.60
Sprocket hole	d	0.05	1.55
13" Reel outside diameter	D	2.0	330.00
13" Reel inner diameter	D1	min	50.0
Feed hole diameter	D2	0.5	13.00
Sprocket hole position	E	0.1	1.75
Punch hole position	F	0.1	7.50
Punch hole pitch	P	0.1	8.00
Sprocket hole pitch	P0	0.1	4.00
Embossment center	P1	0.1	2.00
Overall tape thickness	T	0.1	0.25
Tape width	W	0.3	12.00
Reel width	W1	1.0	12.30

Note: Devices are packed in accordance with EIA standard RS-481-A and specifications listed above.

Reel packing

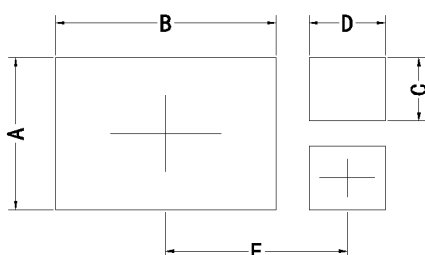
PACKAGE	REEL SIZE	REEL (pcs)	COMPONENT SPACING (m/m)	BOX (pcs)	INNER BOX (m/m)	REEL DIA, (m/m)	CARTON SIZE (m/m)	CARTON (pcs)	APPROX. GROSS WEIGHT (kg)
TO-277	13"	5,000	4.0	10,000	210*208*203	330	430*430*235	80,000	13.0

TO-277 Outline Drawing



Symbol	Dimensions in Millimeters	
	Min	Max
A	5.2	5.8
B	3.8	4.3
C	1.7	1.9
D	6.4	6.6
E	0.8	1.0
F	1.0	1.3
G	0.2	0.45
J	1.1	1.5
K	2.4	4.0
M	1.65	1.95
N	0.7	1.3

Suggested Pad Layout



Symbol	Unit (mm)	Unit (inch)
A	3.60	0.142
B	5.35	0.211
C	1.50	0.059
D	1.85	0.073
E	4.30	0.169